

**REMA RMAC Beam clamp**



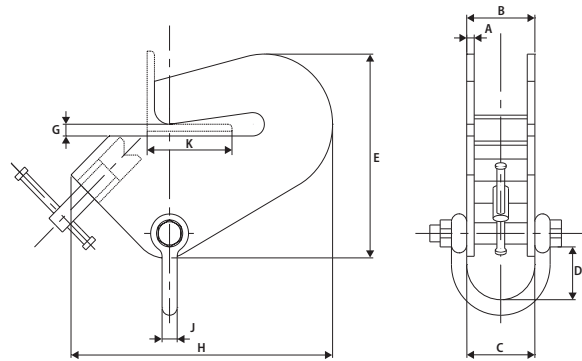
Adjustable spindle beam clamp for creating a semi-permanent suspension point. With a second screw fastens the clamp to prevent movement.

**Properties**

- Simple and quick assembly.
- Suitable for various sizes of angle profile.

**Norm:**

- EN12100-1/2, EN13155, AS4991, ASME-B30,20



Type	WLL (kg)	A (mm)	B (mm)	C (mm)	D (mm)	E (mm)	G (mm)	H (mm)	J (mm)	K (mm)	Weight (kg)	ProductId
RMAC-1T	1000	6	69	70	96	206	15	258	16	38-101	4.5	3318403
RMAC-1.5T	1500	8	99	107	98	270	19	346	20	50-152	11.0	3318405
RMAC-3T	3000	10	99	107	98	343	25.4	490	20	101-203	21.5	3318407

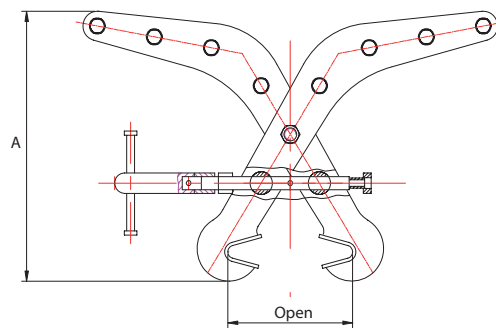
**REMA RMMC Clamp**



REMA RMMC mounting clamps have been developed to easily raise heavy loads. for mounting use 2 hoists, provided there is sufficient space above the beam.

**Norm:**

- EN12100-1/2, EN13155, AS4991, ASME-B30,20



Type	WLL (kg)	Jaw opening (mm)	A (mm)	B (mm)	C (mm)	D (mm)	Gewicht (kg)	ProductId
RMMC-0.2T	200	114-204	357	150	60	4	7.2	3318501