

**moveXX**

driven by brain power



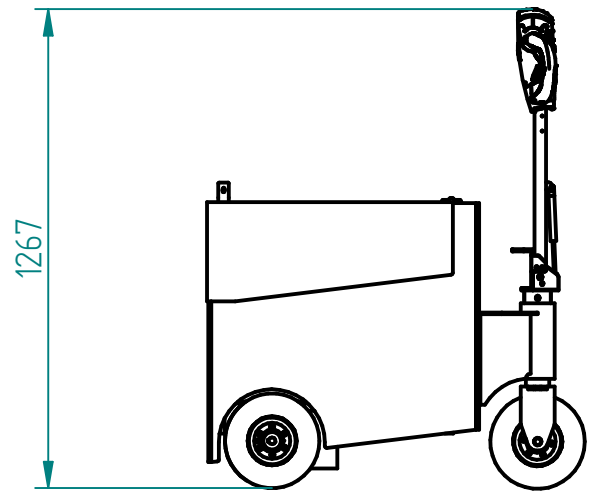
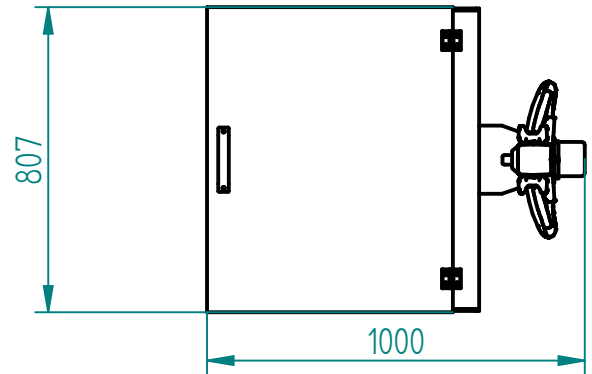
**DATASHEET**  
**Movexx T6000**



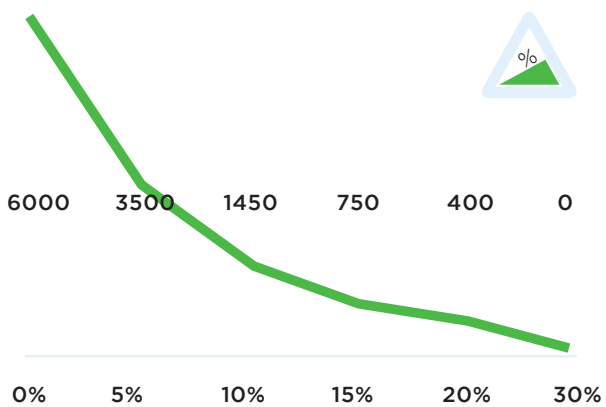
## Specifications T6000

<b>Frame</b>	Steel, powder coated
<b>Drive</b>	24V DC, 1100W, 90 rpm
<b>Weight</b>	700 kg
<b>Weight trailer</b>	6000 kg
<b>Pulling force (N)</b>	5000N
<b>Battery</b>	Built in, 24V, 75Ah
<b>Speed</b>	Max. 4,2 km/h
<b>Drive wheels</b>	Full rubber ø250x80 mm
<b>Width</b>	807mm
<b>Length</b>	1000mm
<b>Adze height</b>	1267mm (variable)
<b>Folded</b>	N/A
<b>Noise level</b>	68,5 dB
<b>To use from</b>	-40 °C / 70 °C
<b>Protection class</b>	Machine IP44

## Dimensions T6000



## Pulling power T6000 (in KG)



## Standard T6000



## Standard parts T6000

### Battery 12V-75A



Item number:  
M2102

### Built-in charger 24V-20A with feed- back



Item number:  
M6004

### Full-rubber drive wheel, black



Item number:  
M0248

### Adjustable tillerhead



### Safety switch

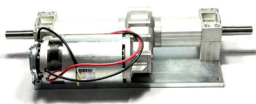


### 2 programmable speeds



## Standard parts T6000

### Engine 1100W 90RPM BRAKE 6911450X



Item number:  
M6003

### LED battery indicator LBF318-24V



Item number:  
M0123

## Options T6000



### Low battery protection

Article number  
OPT0062



### SURCH driving wheel full rubber nm GREY

Article number  
OPT0161



### SURCHARGE wheel full rubber non-marking

Article number  
OPT0162



### Horn with control on bellybutton

Article number  
OPT0049



### Horn 103 dB

Article number  
OPT0059



### Emergency stop complete

Article number  
OPT0063



### Strobelight

Article number  
OPT0065



### Safety fender for steering wheel

*Wheel Shield*

Article number  
OPT0079



### Bellybutton 2-step reset

*After bellybutton use  
off/on switch is necessary*

Article number  
OPT0168



### On/off switch machine

Article number  
OPT0016



### Push Bar

Article number  
OPT0048



### Document holder with clip

Article number  
OPT0053

## Options T6000

**hour counter complete**



Article number  
OPT0056

**Horn 90dB**



Article number  
OPT0057

**Antistatic strip**



Article number  
OPT0058

**Code lock**



Article number  
OPT0068

**Preparation electric hook**



Article number  
OPT0143

**Ignition key unequal key**



Article number  
OPT0145

**Ignition key equal key**



Article number  
OPT0146

**Ignition key under larger tiller head**



*Unequal key. Only with  
OPT0171*

Article number  
OPT0147

**Ignition key under larger tiller head**



*Equal key. Only with  
OPT0171*

Article number  
OPT0148

**Customized programming**



Article number  
OPT0170

**Larger Tiller-Head**



*With 6 switch positions*

Article number  
OPT0171

**Programmer for Ital-sea**



Article number  
D0003

## Options T6000



**U-Frame for waste container 1000/1100L**

Article number  
OPT0088



**Folding Hook, diameter 16**

Article number  
HO128-D16



**Folding Hook, diameter 20**

Article number  
HO128-D20



**Folding Hook, diameter 25**

Article number  
HO128-D25



**Folding Hook, diameter 32**

Article number  
HO128-D32



**Folding Hook, diameter 35**

Article number  
HO128-D35



**Hook Straightener**

Article number  
OPT0012



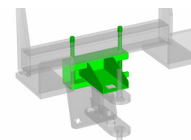
**Electric lifting module for Hooks**

Article number  
OPT0050



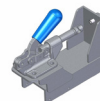
**Folding hook for flower trolleys**

Article number  
OPT0099



**Support for interchangeable hook**

Article number  
OPT0122



**Handle from Locking-module for the hook**

Article number  
OPT0189



**Towing jaw**

Article number  
OPT0200





## Movexx International B.V.

Wiltonstraat 61-63

3905 KW Veenendaal

Tel +31 (0)318 51.99.00

Fax +31 (0)318 50.80.20

E-mail [info@movexx.nl](mailto:info@movexx.nl)