

moveXX

driven by brain power



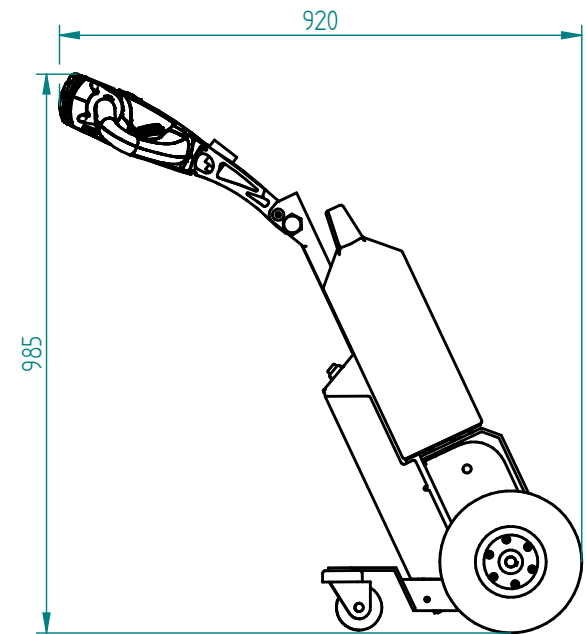
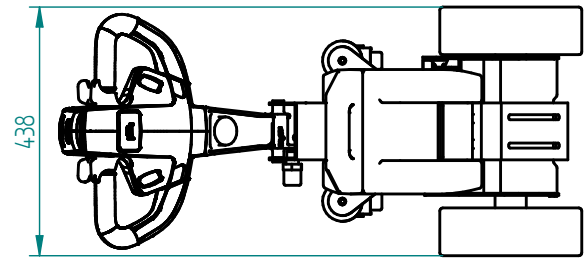
DATASHEET
Movexx T1000



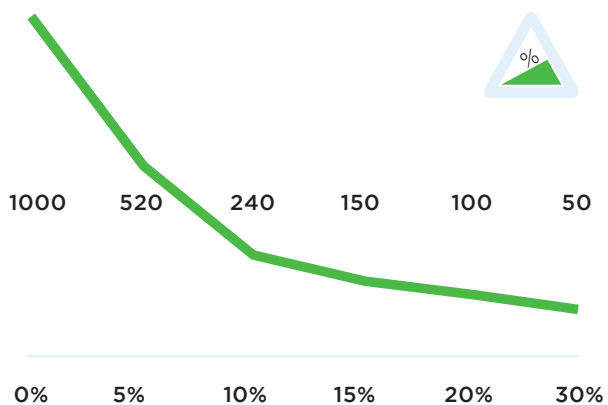
Specifications T1000

Frame	Steel, powder coated
Drive	24V DC, 300W, 100 rpm
Weight	43 kg (incl. accu)
Weight trailer	Max. 1000 kg
Pulling force (N)	800N
Battery	Exchangable batterypack
Speed	Max. 5 km/h, freely programmable
Drive wheels	Full rubber ø250x80 mm
Width	438 mm
Length	920mm
Adze height	750-985 mm (variable)
Folded	831 mm
Noise level	63,8 dB
To use from	-40 °C / 70 °C
Protection class	Machine IP44

Dimensions T1000



Pulling power T1000 (in KG)



Standard T1000



Standard parts T1000

Charger 24V 2A incl. charging cable



Item number:
OPT0009

Accu maintenance-free AGM 24V-20Ah, 6018



Item number:
OPT0110-RAL6018

Full-rubber drive wheel, black



Item number:
M0248

Adjustable tillerhead



Standard parts T1000

Motor T1000, without brake



Item number:
M1032

LED battery indicator LBF318-24V



Item number:
M0123

Safety switch



2 programmable speeds



Options T1000

Extra plug to recharge the battery



Article number
OPT0001

Charger 24V 2A incl. charging cable



Article number
OPT0009

Battery Lithium-Li-FePO4 25,6V-36Ah GREEN



Article number
OPT0106

Battery Lith. instead Battery AGM GREEN



Including charger

Article number
OPT0107

Accu maintenance-free AGM 24V-20Ah, 6018



Article number
OPT0110-RAL6018

SURCH driving wheel airtire nonmark GREY



SURCHARGE driving wheel airtire non-marking GREY

Article number
OPT0156

SURCH drive wheel airtire foamed 2b BLAC



Article number
OPT0158

SURCH driving wheel full rubber nm GREY



Article number
OPT0161

SURCHARGE driving wheel non-marking YELL



Article number
OPT0163

manual brake release



manual brake release

Article number
OPT0003

Electromagnetic brake T1000



Article number
OPT0004

Horn 90dB



Article number
OPT0045

Options T1000



Horn

Article number
OPT0055

Horn 103 dB



Article number
OPT0059

Emergency stop complete



Article number
OPT0063

Strobelight cast iron tiller head



Article number
OPT0076

Bellybutton 2-step reset



*After bellybutton use
off/on switch is necessary*

Article number
OPT0168

Tool/coupling box



Article number
OPT0014

On/off switch machine



Article number
OPT0016

Radio remote control



8-channel

Article number
OPT0024-1

Radio remote control T1000



6 channel

Article number
OPT0026-1

Front counterweight 30kg



Article number
OPT0044

Push Bar



Article number
OPT0048

hour counter complete



Article number
OPT0056

Options T1000

Antistatic strip



Article number
OPT0058

Code lock



Article number
OPT0068

Document holder



Article number
OPT0127

Preparation electric hook



Article number
OPT0143

Ignition key unequal key



Article number
OPT0145

Ignition key equal key



Article number
OPT0146

Ignition key under larger tiller head



*Unequal key. Only with
OPT0171*

Article number
OPT0147

Ignition key under larger tiller head



*Equal key. Only with
OPT0171*

Article number
OPT0148

Tillerhead limitation



Article number
OPT0169

Customized programming



Article number
OPT0170

Larger Tiller-Head



With 6 switch positions

Article number
OPT0171

Programmer for Ital-sea



Article number
D0003

Options T1000



Charger unit for 1 AGM battery

Article number
OPT0015



Charging Station for 1 Lithium battery

Article number
OPT0023



Charging station for 5 batteries

Article number
OPT0039



Frame for 4-wheel waste container

Article number
OPT0085



U-Frame for waste container 1000/1100L

Article number
OPT0088



Charging Station for 6 AGM Batteries

Article number
OPT0115



Locking module charging Station 6 units

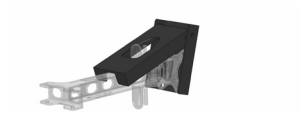
Locking module charging Station with 6 units

Article number
OPT0152



Basic hook

Article number
H7010



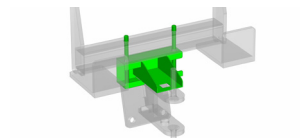
Hook Straightener

Article number
OPT0012



Electric lifting module for Hooks

Article number
OPT0050



Support for exchangeable hook

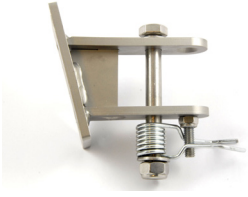
Article number
OPT0122



Electrical locking module for hook

Article number
OPT0129

Options T1000



Basemodule, spring,
bolt en counterplate

Article number
OPT0202



Movexx International B.V.

Wiltonstraat 61-63

3905 KW Veenendaal

Tel +31 (0)318 51.99.00

Fax +31 (0)318 50.80.20

E-mail info@movexx.nl